

THIN BRICK



BELDEN
THE BELDEN BRICK COMPANY

The Standard of Comparison Since 1885
An ISO 9001 Compliant Quality Management System
An ISO 14001 Compliant Environmental Management System

beldenbrick.com / (330) 456-0031

Thin Brick

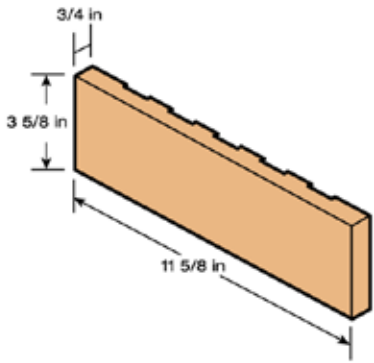
UNIQUE. LASTING. BRICK.



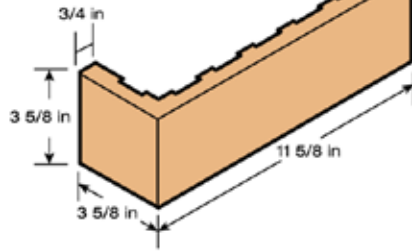
Adding a Creative Touch to Indoor or Outdoor Surfaces

BELDEN
THE BELDEN BRICK COMPANY

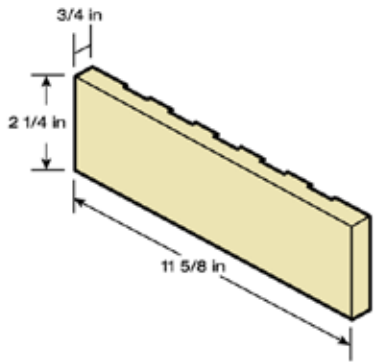
Thin Brick Dimensions



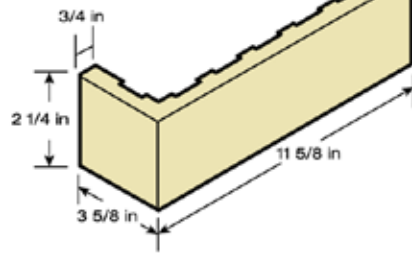
UTILITY DOVETAIL



UTILITY DOVETAIL CORNER

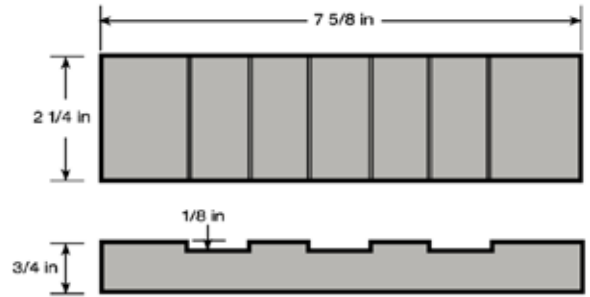


NORMAN DOVETAIL

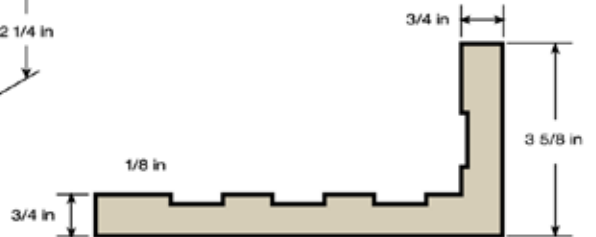
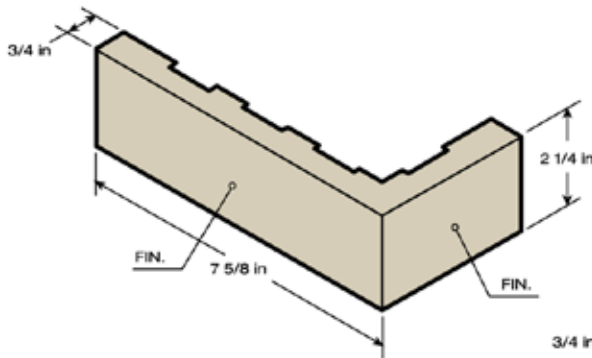


NORMAN DOVETAIL CORNER

MODULAR DOVETAIL SLAB



MODULAR DOVETAIL 90° EXTERNAL CORNER



*Dovetail drawings are not representative because Dovetails may vary from Plant to Plant.

Thin Brick Specifications

ASTM C 1088

Standard Specification for Thin Veneer Brick Units made from Clay or Shale. In this specification, the term thin veneer brick shall be understood to mean clay masonry unit with a maximum thickness of 1-3/4".

Grade Exterior

Maximum water absorption by 5 hour boiling

- Average of 5 units – 17.0%
- Individual – 20.0%

Maximum Saturation Coefficient

- Average of 5 units – 0.78
- Individual – 0.80

Belden Brick manufactures thin brick to meet Grade Exterior.

Types:

TBX

TBX – (Select) – Thin veneer brick for use in general masonry where a higher degree of precision and lower permissible variation in size than permitted for Type TBS is required.

TBS

TBS – (Standard) – Thin veneer brick for general use in masonry.

TBA

TBA – (Architectural) – Thin veneer brick for general use in masonry selected to produce characteristic architectural effects resulting from nonuniformity in size and texture of the individual units.

Extruded Brick Units

Manufactured to Meet Type TBX.

Available in 5/8" to 3/4" Flat Back Units and 3/4" only for Dovetail Units. Dovetail units have 5/8" shell thickness plus 1/8" dovetail = 3/4" overall thickness. Capabilities to manufacture units up to 4" in height and 12" in length. Includes 12 different sizes ranging from Modular (2-1/4"x 7-5/8") to Utility (3-5/8"x 11-5/8").

Specify Units with Smooth & Velour Textures for Best Economics.

- Some heavily textured products such as matt, vertical bark & dart-tex textures available on a per job basis.

PCI Precast Requirements:

- Waxing of Unit Faces Available for Stretchers & Corners.
- Grinding of Units also Available for Length & Height.
- Dimensional Tolerances of Plus 0 / Minus 1/16th"

*Some extruded products available in PCI Tolerances. Maximum length of 12" and maximum height of 4".

Molded Brick Units

Manufactured to Meet Type TBA and available in 3/4" Flat Back Units only.

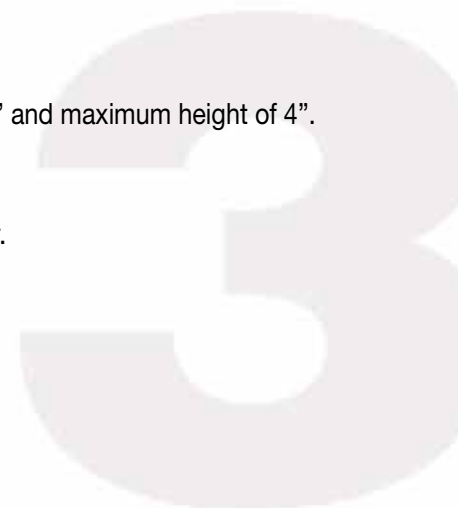
Plant 3 – Antique Colonials

Modular: 2-1/4" x 7-5/8"

Jumbo Standard: 2-5/8" x 8"

Plant 3 – Belcrest

Modular: 2-1/4" x 7-5/8"



Extruded Thin Brick

Creams



280-284



481-483 Velour

Tans



Quaker Blend



Tumbleweed Velour

Pinks



Jewel Blend



Jewel Clear

Bufs



461-463 Smooth



470-479 Light Range Smooth



Concord Blend



Desert Sun Smooth



Goldenrod Ironspot



Pago Velour



Madrid Blend



Nutmeg Full Range Velour



Wheatfield Velour

Reds



Colony Blend



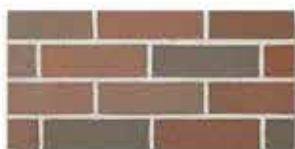
Admiral Full Range Velour



Canyon Full Range Velour



Claret Full Range Smooth



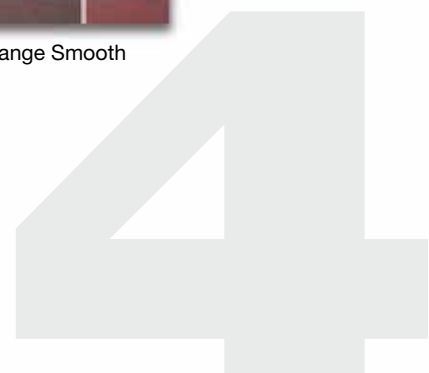
Commodore Full Range Velour



Indian Red Clear



Rubigo Blend Velour



Browns



470-479 Dark Range Smooth



470-479 Medium Range Smooth



8601



8621



8632



Midland Blend



Napier Blend Velour



Seal Brown Velour

Blacks



Ebony Black Smooth



Sienna Blend Velour



661 Velour



671 Smooth

Grays



691-693



8520



8521



8522



8523



8531



8532



8533



Burbank Full Range



Dutch Gray Smooth



Empire Gray



Field Gray Velour



Field Gray Smooth



Graystone Velour



Mayo Blend Full Range



Sea Gray Smooth

Due to printing limitations, the color of the brick panels may be slightly different than those represented. We encourage that you request a sample for color matching applications.



Several sizes of Belden Brick were used in the construction of Busch Stadium. Thin brick was used in a precast application on several sections as shown.

BUSCH STADIUM

Cherry Velour

THIN BRICK

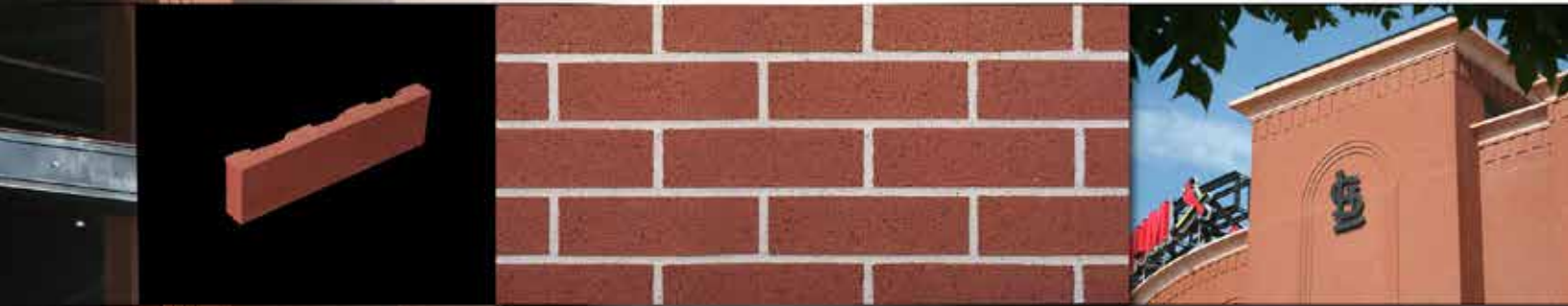
TBX

3/4"

THICKNESS

Belden Clay Fired Thin Brick adds charm and beauty to any exterior surface.

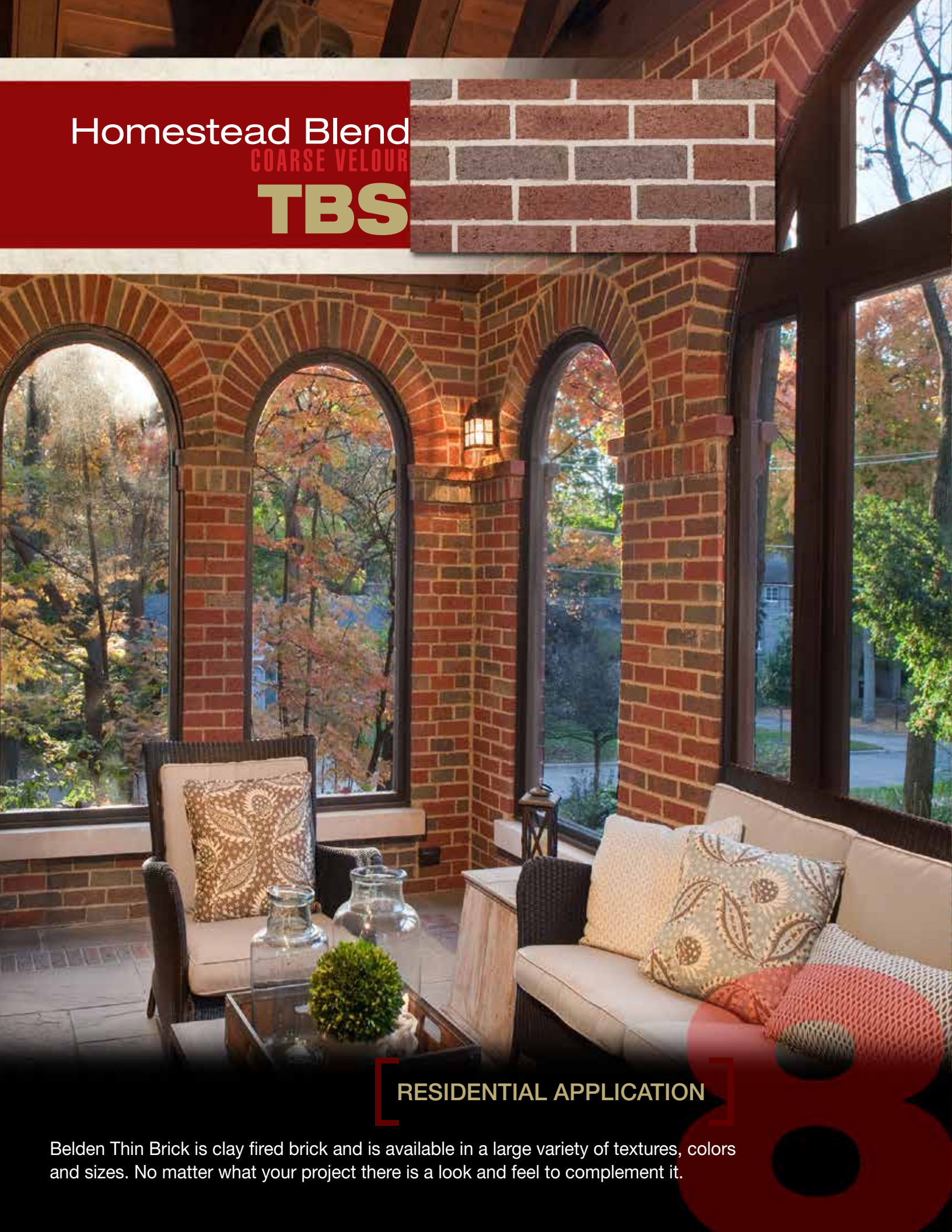
COMMERCIAL APPLICATION



Belden Thin Brick adds a warmth and Old World feel to this ballpark in the Heart of St. Louis.

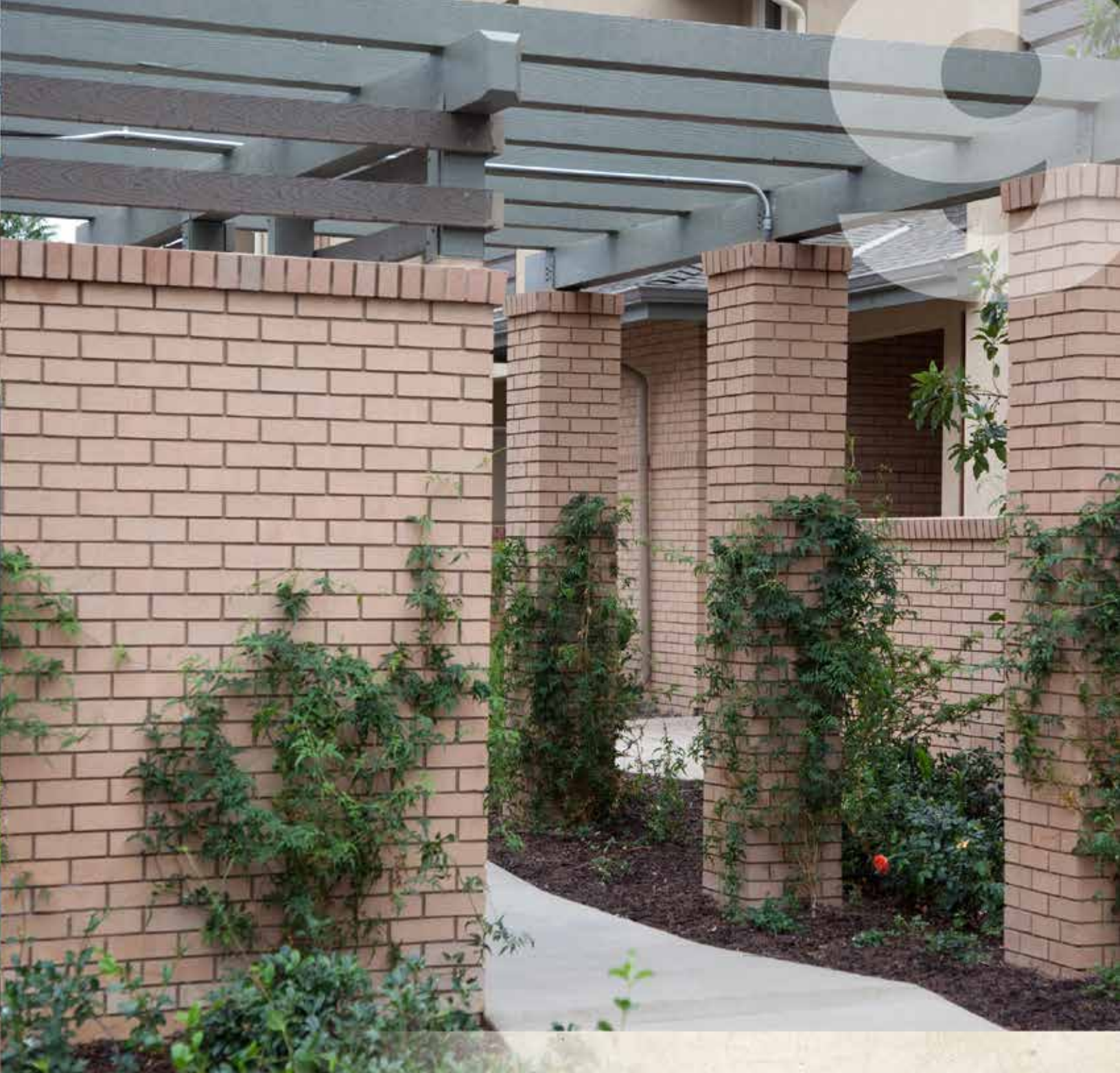
Busch Stadium - Home of the St. Louis Cardinals

Homestead Blend
COARSE VELOUR
TBS



RESIDENTIAL APPLICATION

Belden Thin Brick is clay fired brick and is available in a large variety of textures, colors and sizes. No matter what your project there is a look and feel to complement it.



Concord Clear
SANDED VELOUR
TBX



Belden Thin Brick achieves long term value because of its low maintenance costs.

Molded Thin Brick

Whites



Jumbo Arctic Clear



Jumbo Bayport



Belcrest 600



Belcrest 650



Jumbo Polar Blend

Tans



Jumbo Alamo Clear



Jumbo Manchester Blend



Jumbo Meadow Blend



Jumbo Mojave Blend

Browns



Jumbo Garnet Blend



Jumbo Lancaster Blend

Grays



Jumbo Harbour Mist Blend



Jumbo Harbour Mist Clear



Due to printing limitations, the color of the brick panels may be slightly different than those represented. We encourage that you request a sample for color matching applications.

Pinks



Belcrest 100



Belcrest 130



Belcrest 150



Belcrest 310



Belcrest 330



Belcrest 350



Belcrest 360



Jumbo St. Anne Blend



Jumbo St. Anne Clear

Reds



Belcrest 500



Belcrest 530



Belcrest 550



Belcrest 560



Belcrest 700



Belcrest 760



Jumbo Kingsport



Jumbo Queensport Blend



Jumbo Rosewood Blend



Jumbo Rosewood Clear



Jumbo Winewood Blend

Belden Thin Brick is available in a large variety of colors and textures. See all the brick colors available online at beldenbrick.com

THIN BRICK
Polar Whites

TBA



Bridgeport Blend

TBA



Above Photo Credit: Eric Figge

COMMERCIAL APPLICATION

the
AMERICANA
AT BRAND
ALWAYS WELCOME

Alamo
Blend

TBA



Americana Building - Retail Office & Condos, Glendale, California

B



INVENTIVE ACCENTS

Belden Thin Brick is clay fired brick and available in a large variety of textures, colors and sizes. Check our website at www.beldenbrick.com for a complete listing. Whether your need is inside or outside, Belden Thin Brick can add a rich, distinct look to your project in less time and cost than you would ever imagine.

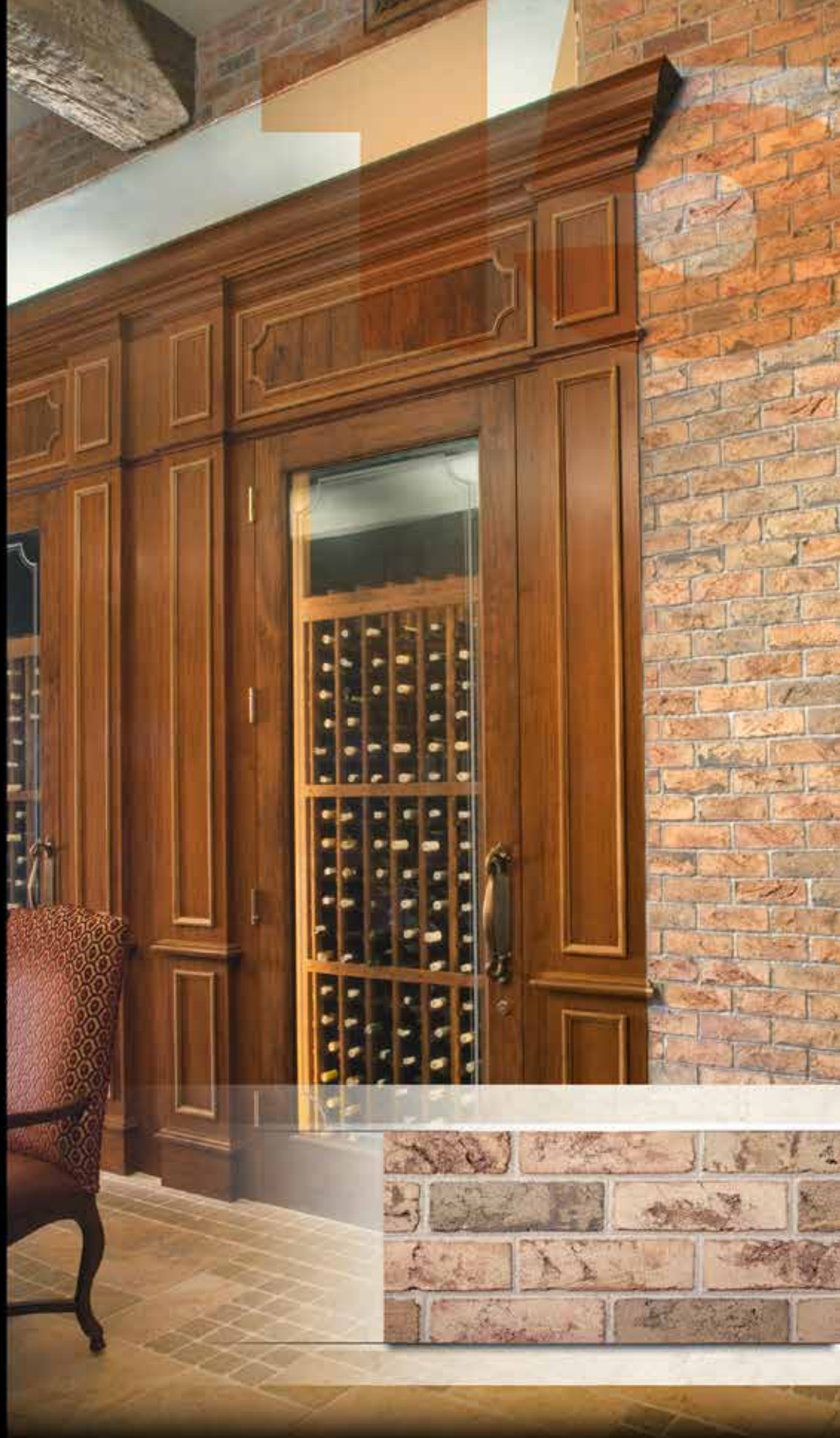
Belden Thin Brick can add the warmth and beauty of brick to the inside of your home, office or building. With Belden Thin Brick you can create a unique look for your den, kitchen, recreation room, patio walls or any surface that can use improvement. The uses of Belden Thin Brick are limited only by your imagination.

Outside, transform the exterior of your home from wood or aluminum siding to the rich look of brick. You will find an improvement in sound reduction, energy savings and resale value. Most of all, the character and attractiveness of your brick home will satisfy you for many years of maintenance free living.



Standard Specification
for Thin Veneer Brick
Units made from Clay
or Shale. "In this
specification, the term
thin veneer brick shall
be understood to mean
clay masonry unit with a
maximum thickness
of 1-3/4".





HAND MADE
Beechwood Blend
TBA

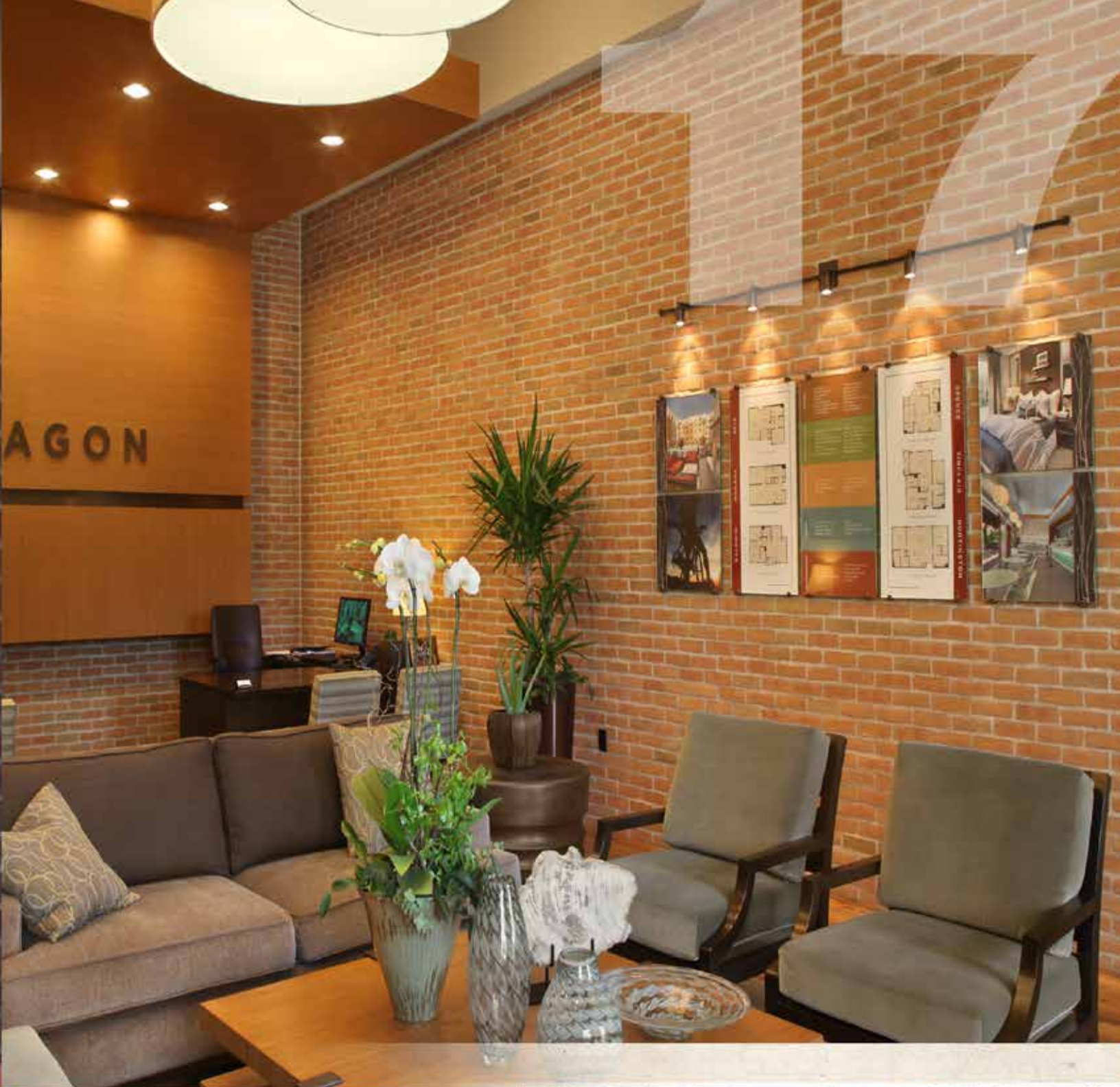
Belden Thin Brick gives this private room in an exclusive restaurant, a lasting impression.



THIN BRICK
Belcrest Series
TBA 730



Belden Thin Brick is available in warm, rich colors that never fade and enrich any wall.



Belcrest Series
170
TBA



Belden Thin Brick has become the popular choice for walls inside of offices, in addition to their beauty, a sense of strength and performance is projected.

Bridgeport Blend **TBA**



Put a new face on your buildings with Belden Thin Brick and improve the curb appeal for many years.



Belcrest 170 & Belcrest 730
3/4" x 2-1/4" x 7-5/8"
TBA

COMMERCIAL APPLICATION

Consider Belden Thin Brick for remodeling or new projects.

Test Data-Test Results on Dimensional Tolerances

PCI SPECIFICATION			
	AVERAGE LENGTH (IN.)	DEVIATION FROM SPECIFICATION	PASS/FAIL
GROUP AVERAGE	7 5/8	1/32	PASS
	AVERAGE HEIGHT (IN.)	DEVIATION FROM SPECIFICATION	PASS/FAIL
GROUP AVERAGE	2 1/4	1/32	PASS
	AVERAGE THICKNESS (IN.)	DEVIATION FROM SPECIFICATION	PASS/FAIL
GROUP AVERAGE	5/8	1/64	PASS

Results of Tests on Brick conducted in accordance with ASTM C67. Standard Method for Sampling and Testing Brick and Structural Clay Tile

AVERAGE THIN BRICK PHYSICAL PROPERTY TEST RESULTS	
ABSORPTION	AVERAGE
24 Hour Submersion in Cold Water (%)	2.13
5 Hour Submersion in Boiling Water (%)	2.71
Saturation Coefficient (Ratio of 24H to 5H)	0.79
EFFLORESCENCE	NOT EFFLORESCED
MODULUS OF RUPTURE	AVERAGE
psi	2,608
MPa	16

*The brick represented by the test results shown here comply with the standards listed below:
 ASTM C 1088 Standard Specification for Thin Veneer Brick Units made from Clay or Shale
 Grade: Exterior, Interior
 Results of Tests on brick conducted in accordance with ASTM C67 Standard Method for Sampling & Testing Brick & Structural Clay Tile*

Test Data is available for all styles at www.beldenbrick.com.
 Test Data listed is indicative of one product style.



STANDARD TEST METHODS FOR STRENGTH OF ANCHORS IN CONCRETE WITH MASONRY ELEMENTS

TENSILE BOND STRENGTH

AVERAGE

psi

349

Mode of Failure

FACE

AFTER 300 CYCLE FREEZE THAW TESTED IN ACCORDANCE WITH ASTM C-666 METHOD B

TENSILE BOND STRENGTH

AVERAGE

psi

240

Mode of Failure

FACE

Results of Tests on Brick conducted in accordance with PCI modified ASTM E 488-03 Test Methods for Strength of Anchors in Concrete and Masonry Elements

STANDARD TEST METHODS FOR RESISTANCE OF CERAMIC TILE TO CHEMICAL SUBSTANCES

ACIDS AND BASES

TEST SOLUTION

VISUAL TEST (AFFECTED / NOT AFFECTED)

Hydrochloric Acid Solution, 10% (v/v)

Not Affected

Results of Tests on Brick conducted in accordance with ASTM C650 Standard Method for Sampling and Testing Brick and Structural Clay Tile

23



870-874
Velour
TBX

[COMMERCIAL APPLICATION]

Available in many beautiful, versatile colors.



Tilted Kilt PUB & EATERY

Belcrest Series 730
TBA

